

Adams

Oil Levels & Windows

Niveaux d'Huile et Voyants

Ölstandsanzeiger & Ölaugen



Oil Levels and Windows

These units are used in industry to visually check the fluid level within a reservoir or gearbox. Vertical and angled oil level gauges are available in brass. Screw in windows are available in various materials, the "drive-in" type is steel with plastic window.

Niveaux d'Huile et Voyants

Ces accessoires sont utilisés dans l'industrie pour le contrôle visuel du niveau d'un réservoir ou d'un carter. Verticaux ou à l'équerre les niveaux d'huile sont en laiton. Les voyants à visser existent dans différents matériaux, ceux à encastrer sont en acier avec fenêtre en plastique.

Ölstandsanzeiger & Ölaugen

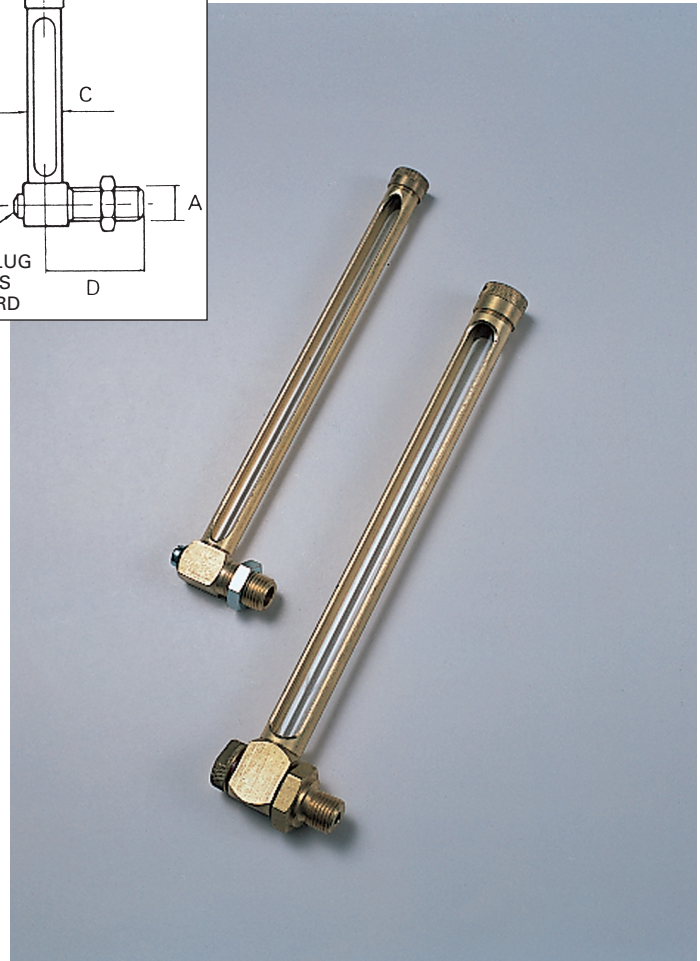
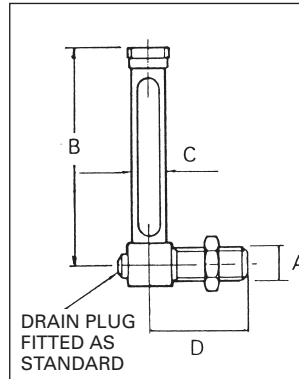
Industriell gebräuchliche Geräte für die optische Kontrolle des Flüssigkeitsstandes in einem Behälter oder auch Getriebegehäuse. Senkrechte und horizontale Anzeiger sind aus Messing. Ölaugen sind in vielen Werkstoffen lieferbar.

OIL LEVELS

WITH LOCKNUT (DIN 3018)

Material - BRASS, GLASS Finish - NATURAL
Maximum Working Temperature 90°C

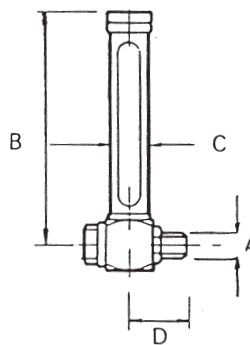
Product Code	A	B mm	C mm	D mm
FGM 150	1/8	50	13	27
FGM 160	BSP	60	13	27
FGM 180		80	13	27
FGM 250		50	13	27
FGM 260	1/4 BSP	60	13	27
FGM 280		80	13	27
FGM 2100		100	13	27
FGM 2125		125	13	27
FGM 2150		150	13	27
FGM 2175		175	13	27
FGM 2200		200	13	27
FGM 2250		250	13	27
FGM 2300		300	13	27
FGM 350		3/8 BSP	50	13
FGM 360	60		13	34
FGM 380	80		13	34
FGM 3100	100		13	34
FGM 3125	125		13	34
FGM 3150	150		13	34
FGM 3175	175		13	34
FGM 3200	200		13	34
FGM 3250	250		13	34
FGM 3300	300		13	34
FGM 4100	1/2 BSP	100	16	38
FGM 4125		125	16	38
FGM 4150		150	16	38
FGM 4200		200	16	38
FGM 4250		250	16	38



WITH BANJO COUPLING (DIN 3018)

Material - BRASS, GLASS. Finish - NATURAL
Maximum Working Temperature 90°C

Product Code	A	B mm	C mm	D mm
FGB 160	1/8 BSP	60	16	28
FGB 180		80	16	28
FGB 1100		100	16	28
FGB 1125		125	16	28
FGB 250	1/4 BSP	50	16	30
FGB 260		60	16	30
FGB 280		80	16	30
FGB 2100		100	16	30
FGB 2125		125	16	30
FGB 2150		150	16	30
FGB 2175		175	16	30
FGB 2200		200	16	30
FGB 2250		250	16	30
FGB 2300		300	16	30



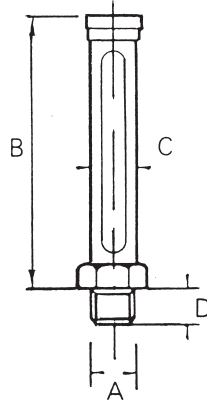
3/8 BSP, 1/2 BSP and NPT sizes available on request

OIL LEVELS

VERTICAL (DIN 3018)

Material - BRASS, GLASS. Finish - NATURAL
Maximum Working Temperature 90°C

Product Code	A	B mm	C mm	D mm
FGV 250		50	13	8
FGV 260		60	13	8
FGV 280		80	13	8
FGV 2100		100	13	8
FGV 2125	1/4	125	13	8
FGV 2150	BSP	150	13	8
FGV 2175		175	13	8
FGV 2200		200	13	8
FGV 2250		250	13	8
FGV 2300		300	13	8

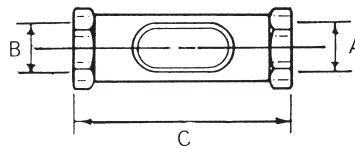


3/8 BSP, 1/2 BSP and NPT sizes available on request

OIL LINE FLOW

Material - BRASS, GLASS, NITRILE. Finish - NATURAL.
Maximum Working Pressure 2 bar.
Maximum Working Temperature 80°C

Product Code	A	B	C mm	A/FLATS mm
OL 4279	1/8 BSP	1/8 BSP	70	19
OL 4280	1/8 NPT	1/8 NPT	70	19
OL 4281	1/4 BSP	1/4 BSP	62	21
OL 4282	1/4 NPT	1/4 NPT	62	21
OL 4283	3/8 BSP	3/8 BSP	76	31.75
OL 4284	3/8 NPT	3/8 NPT	76	31.75
OL 4285	1/2 BSP	1/2 BSP	70	32
OL 4286	1/2 NPT	1/2 NPT	70	32



FLANGED

Material - BRASS, GLASS. Finish - NATURAL
Maximum Working Pressure 1 bar.
Maximum Working Temperature 100°C

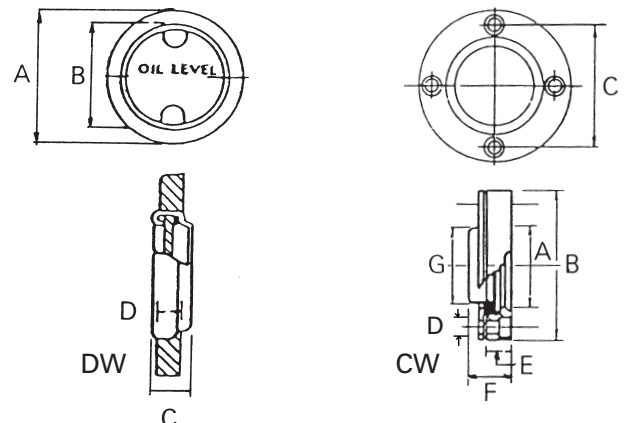
Product Code	A mm	B mm	C mm	D mm	E mm	F mm	G mm
CW 4032	31.8	57.2	46.8	4.8	9.5	17.5	31.8
CW 4033	38.1	65.1	54.8	4.8	9.5	17.5	38.1



DRIVE IN

Material - STEEL, PERSPEX. Finish - ZINC PLATE
Maximum Working Pressure 0.7 bar.
Maximum Working Temperature 70°C with 0.2 bar pressure

Product Code	Hole Diameter	A	B mm	C mm	D mm
DW 4064	22.23 - 22.28	22.30 - 22.35	17.5	7.1	0.4
DW 4061	31.75 - 31.80	31.83 - 31.88	25.4	8.7	0.4
DW 4062	38.10 - 38.15	38.18 - 38.23	31.8	9.5	0.4
DW 4063	50.80 - 50.85	50.88 - 50.93	44.5	10.8	0.4



Add suffix 'A' to part No. if reflector is required.

OIL WINDOWS

PLEXIGLASS, ALUMINIUM BODY

Maximum Working Pressure 3.5 bar.

Maximum Working Temperature 70°C

Product Code	A	B mm	C mm	D mm	E mm
AW 1145	1/4 BSP	8	15	8	17
AW 1150	3/8 BSP	8	16	11	22
AW 1155	1/2 BSP	9	17	15	27
AW 1160	3/4 BSP	10	20	20	32
AW 1165	1 BSP	14	24	25	41
AW 1170	1 1/4 BSP	14	24	33	50
AW 1175	1 1/2 BSP	14	24	38	55

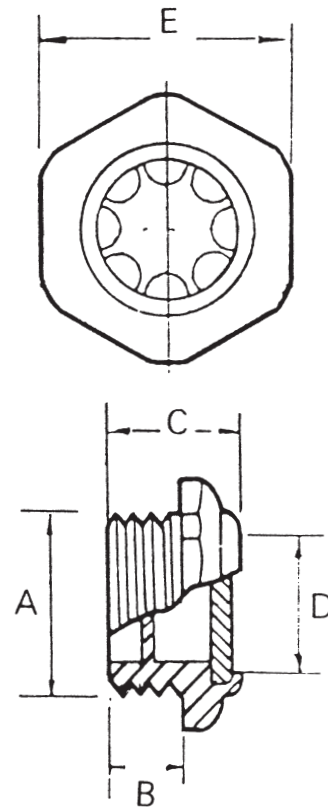


HEAT RESISTANT GLASS, ALUMINIUM BODY

Maximum Working Pressure 10 bar.

Maximum Working Temperature 130°C

Product Code	A	B mm	C mm	D mm	E mm
AW 1245	1/4 BSP	8	15	8	17
AW 1250	3/8 BSP	8	16	11	22
AW 1255	1/2 BSP	9	17	15	27
AW 1260	3/4 BSP	10	20	20	32
AW 1265	1 BSP	14	24	25	41
AW 1270	1 1/4 BSP	14	24	33	50
AW 1275	1 1/2 BSP	14	24	38	55
AW 1280	2 BSP	14	24	46	70
AW 1955	M12 x 1.5	8	15	8	17
AW 1960	M16 x 1.5	8	16	11	22
AW 1964	M20 x 1.5	9	17	15	27
AW 1972	M24 x 2	9	17	15	27
AW 1974	M26 x 1.5	10	20	20	32
AW 1977	M27 x 1.5	10	20	20	32
AW 1980	M30 x 1.5	14	24	25	41
AW 1983	M33 x 1.5	14	24	25	41
AW 1993	M42 x 2	14	24	33	50



OIL WINDOWS

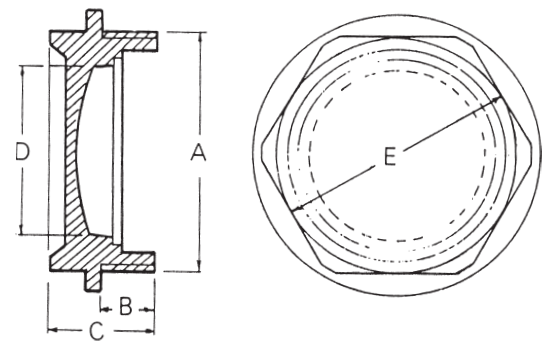
PLASTIC

Material - PLEXIGLASS

Maximum Working Pressure 3 bar.

Maximum Working Temperature 80°C

Product Code	A	B mm	C mm	D mm	E mm
PW 4210	1/4 BSP	8.2	13.2	6	17
PW 4211	3/8 BSP	9.2	15.7	9	22
PW 4212	1/2 BSP	10	18	12	24
PW 4213	3/4 BSP	12.2	21.2	16	30
PW 4214	1 BSP	11.6	20.6	22	36
PW 4215	1 1/4 BSP	12.8	22.3	28	46
PW 4216	1 1/2 BSP	13.8	25	33	50
PW 4217	2 BSP	13.8	26	43	60
PW 4520	M12 x 1	8.2	13.2	6	17
PW 4521	M16 x 1.5	9.2	15.7	9	22
PW 4522	M20 x 1.5	10.0	18.0	12	24
PW 4523	M24 x 1.5	12.2	21.2	16	30
PW 4524	M26 x 1.5	12.2	21.2	16	30
PW 4525	M27 x 1.5	12.2	21.2	16	30
PW 4526	M33 x 1.5	11.6	20.6	22	36
PW 4527	M35 x 1.5	11.6	22.5	25	41
PW 4528	M42 x 1.5	12.8	22.3	28	46
PW 4529	M48 x 1.5	13.8	25.0	33	50
PW 4530	M60 x 2	13.8	26.0	43	60



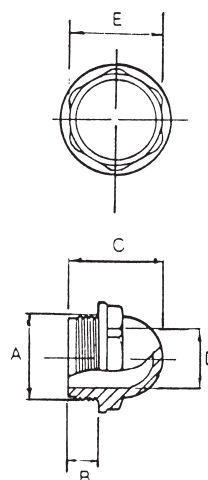
PLASTIC DOMED

Material - POLYCARBONATE

Maximum Working Pressure 3 bar.

Maximum Working Temperature 70°C

Product Code	A	B mm	C mm	D mm	E mm
PR 4300	1/2 BSP	10	30	14	24
PR 4301	3/4 BSP	12	34	20	30
PR 4302	1 BSP	12	36	23	36
PR 4310	M20 X 1.5	10	30	14	24
PR 4311	M27 X 1.5	13	34	16	30
PR 4312	M33 X 1.5	12	36	22	36



OIL WINDOWS

STEEL

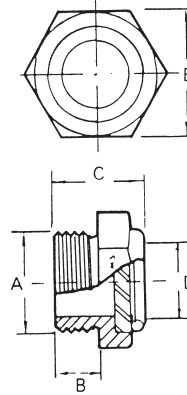
With Toughened Glass Window

Material - STEEL, GLASS Finish - ZINC PLATE

Maximum Working Pressure 10 bar.

Maximum Working Temperature 100° C

Product Code	A	B mm	C mm	D mm	E mm
BWS4042	3/4 BSP	12.7	25.4	19.1	33.0
BWS4052	3/4 NPT	20.6	33.3	19.1	33.0
BWS4043	1 BSP	15.9	33	25.4	42.4
BWS4053	1 NPT	22.2	39.3	25.4	42.4
BWS4044	1 1/4 BSP	15.9	33	31.8	52.1
BWS4054	1 1/4 NPT	26	39.3	31.8	52.1
BWS4045	1 1/2 BSP	15.9	33	38.1	61.2
BWS4055	1 1/2 NPT	26	42	38.1	61.2
BWS4046	2 BSP	17	34.9	49.0	69.9



Add suffix 'R' to part no. if reflector is required, eg BWS 4043R

BRASS

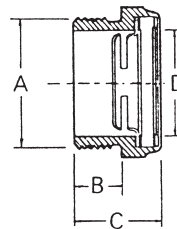
With Perspex Window

Material - BRASS, PERSPEX Finish - NATURAL

Maximum Working Pressure 0.7 bar.

Maximum Working Temperature 70° C

Product Code	A	B mm	C mm	D mm	E mm
BW4040P	3/8 BSP	11.1	17.3	11.1	19.1
BW4041P	1/2 BSP	13.5	23.8	12.7	23.4



BRASS

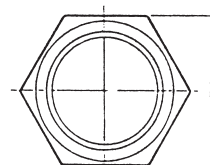
With Toughened Glass Window

Material - BRASS, GLASS Finish - NATURAL

Maximum Working Pressure 0.7 bar.

Maximum Working Temperature 100° C

Product Code	A	B mm	C mm	D mm	E mm
BW4040TG	3/8 BSP	11.1	17.3	11.1	19.1
BW4041TG	1/2 BSP	13.5	23.8	12.7	23.4



BW4041 available with reflector add suffix 'R'. eg BW4041PR